

RISH Delta Digital Multifunction Instrument

Application:

RISH Delta measures important electrical parameters in 3 phase 4 Wire and 3 phase 3 Wire Network & replaces the multiple analog panel meters. It measures electrical parameters like AC Voltage, AC Current, Frequency & many more.

Salient Features:

- Fast & Easy Installation on panel with self clicking.
- True RMS measurement.
- Limit Switch (optional).(Available only in 3 Line Display)
- 3 Line 4 Digits ultra bright LED Display (up to 9999).
- On site Programmable CT/PT Ratios.
- User selectable CT Secondary 1A/5A.
- User selectable PT Secondary from 100 VLL to 500 VLL.
- User selectable 3ph3wire / 3ph4wire / single phase Network.
- Wide auxillary Power Supply which can accept any input between 40V – 300V AC/DC or 12V – 48V DC .
- Storage of MIN / MAX values.
- Measurement & Display of RPM, Run hours, On hours & No. of Interrupts.
- Load Manager for indicating percentage of system current. (available in single line only)

Products Features:

On site programmable PT/CT ratios:

It is possible to program primary of external potential Transformer (PT), primary of external Current Transformer (CT) on site via front panel keys by entering into Programming mode.

User selectable CT Secondary 5A/1A

The secondary of external Current Transformer (CT) can be programmed on site to either 5A or 1A using front panel keys.

User selectable PT Secondary

The secondary of external Potential Transformer (PT) can be programmed on site from 100VLL to 500VLL using front panel keys.

User selectable 3 phase 3Wire or 4Wire or Single phase Network

User can program on site the network connection as either 3 Phase 3 Wire or 4 Wire or single phase network using front panel keys.

In case of self powered Rish Delta only either 3 Phase 4 wire or single phase network are available.



Storage of parameters possible

The instrument stores minimum and maximum values for System Voltage, System Current, Run Hour, ON Hour & number of Interrupts. Every 60 sec stored values are updated.

Four function keys:

Using the four function key, it is possible to go desired parameter screen instantly.

Onsite selection of Auto scroll / Fixed Screen

User can set the display in auto scrolling mode or fixed screen mode using front panel keys.

Low back depth:

The instrument has very low back depth (behind the panel) of less than 55mm (without output options).

True RMS measurement

The instrument measures distorted waveform up to 15th Harmonic.



RISHABH
INSTRUMENTS
Measure, Control & Record with a Difference

RISHABH INSTRUMENTS PVT.LTD.

F-31, MIDC, Satpur, Nashik-422 007, India.

Tel.: +91 253 2202160, 2202202 Fax : +91 253 2351064

E-mail : India :- marketing@rishabh.co.in

International :- exp.marketing@rishabh.co.in

www.rishabh.co.in

RISH Delta Digital Multifunction Instrument

RPM Measurement: The instrument display Rotation per minutes for generator applications. Number of poles can be set on site depending upon application requirement.

Optional Limit switch (Relay):

The instrument will trip the relay if the programmed parameter exceeds the programmed Trip Limits.

3 line 4 digits LED display:

Simultaneous display of 3 Parameters.

Enclosure Protection for dust and water:

Conforms to IP 50 (for front face) & IP 20 (for back) & as per IEC60529.

EMC Compatibility

Compliance to International standard IEC 61326.

- Interference Emission : IEC 61326-1 : 2005, Class A
- Interference Immunity : IEC 61326-1 : 2005
- Electrostatic discharge : IEC 61000-4-2 -- 4kV/8kV contact/air. (ESD)
- EM Field : IEC 61000-4-3 -- 10 V/m (80 MHz to 1 GHz)
-- 3 V/m (1.4 Ghz to 2 GHz)
-- 1 V/m (2 GHz to 2.7 GHz)
- Burst : IEC 61000-4-4 -- 2 kV (5/50 ns, 5 kHz)
- Surge : IEC 61000-4-5 -- 1 kVLL / 2 kVLN.
- Conducted RF : IEC 61000-4-5 -- 3 V (150 kHz to 80 MHz)
- Rated Power Frequency magnetic Field : IEC 61000-4-8 -- 30 A/m
- Voltage dip : IEC 61000-4-11 -- 0% during 1 cycle.
-- 40% during 10/12 cycles.
-- 70% during 25/30 cycles.
- Short interruptions : IEC 61000-4-11 --
0% during 25/30 cycles.
25 cycles for 50 Hz test.
30 cycles for 60 Hz test.

Technical Specifications:

Input Voltage:

Nominal input voltage (AC RMS)	Phase –Neutral 290V L-N , Line-Line 500V L-L
Max continuous input voltage	120% of rated value
Nominal input voltage burden	< 0.3 VA approx. per phase (For external auxiliary meter)
System PT secondary values	100VLL to 500VLL programmable on site.
System PT primary values	100VLL to 692kVLL programmable on site.

Input Current:

Nominal input current	5A AC RMS
System CT secondary values	1A & 5A programmable on site.
System CT primary values	From 1A up to 9999A (for 1 or 5 Amp)
Max continuous input current	120% of rated value
Nominal input current burden	< 0.2 VA approx. per phase

Auxiliary Supply:

AC-DC External Aux	40 V – 300V AC-DC (± 5 %)
DC External Aux	12 V – 48V DC

Self powered

Input voltage range from 80% to 100% of Rated value.
(Self powered meter is available only in 3Phase 4 Wire and Single Phase network.)
Auxiliary input is derived from Phase 1 (R phase)

Frequency range
VA burden

45 to 65 Hz
3 VA Approx.

Overload Withstand:

Voltage	2 x rated value for 1 second, repeated 10 times at 10 second intervals
Current	20x rated value for 1 second, repeated 5 times at 5 min intervals



RISH Delta Digital Multifunction Instrument

Technical Specifications:

Operating Measuring Ranges

Voltage Range With External Aux	10... 120% of rated value
Voltage Range With Self Power	80... 120% of rated value
Current Range	10 ... 120% of rated value
Frequency	45...65 Hz

Reference conditions for Accuracy:

Reference temperature	23°C +/- 2°C
Input waveform	Sinusoidal (distortion factor 0.005)
Input frequency	50 or 60 Hz ±2%
Auxiliary supply voltage	Rated Value ±1%
Auxiliary supply frequency	Rated Value ±1%

Accuracy:

Voltage	±1.0% of range (20... 100% of Nominal value)
Current	±1.0% of range (10... 100% of Nominal value)
Frequency	0.5% of mid frequency

Influence of Variations:

Temperature coefficient : (for rated value range of use (0...50°C))	0.025%/°C for Voltage 0.05%/°C for Current
--	---

Limit Switch (Relay):

Switching Voltage & Current for Relay	240 VDC ,5 A (1NO+1NC)
---------------------------------------	------------------------

Applicable Standards:

EMC	IEC 61326-1: 2005
Safety	IEC 61010-1-2001 , Permanently connected use
IP for water & dust	IEC60529

Safety:

Pollution degree:	2
Installation category:	III
High Voltage Test	3.3 kV AC, 50Hz for 1 minute between Aux. and measuring inputs

Environmental:

Operating temperature	0 to +50°C
Storage temperature	-25°C to +70°C
Relative humidity	0... 90% non condensing
Warm up time	Minimum 3 minute
Shock	15g in 3 planes
Vibration	10... 55 Hz, 0.15mm amplitude

Enclosure:

Front	IP 50.
Back	IP 20.



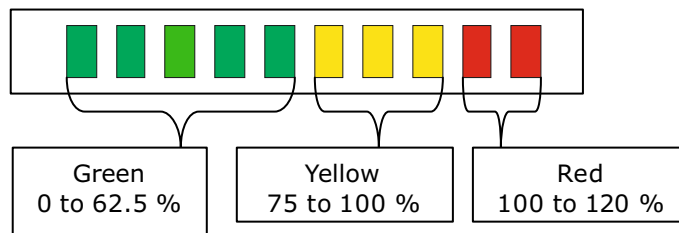
RISH Delta Digital Multifunction Instrument

Technical Specifications:

Dimensions and Weights:

Bezel size	96 mm x 96 mm DIN 43 718.
Panel cut-out	92 +0.8 mm x 92 + 0.8 mm.
Overall depth	55 mm (without output options) 62 mm (with output options).
Panel Thickness	1 - 3 mm for self clicking, 1 – 6 mm for swivel screws.
Weight	320 gm. Approx (with output options)..

Load Manager For System Current



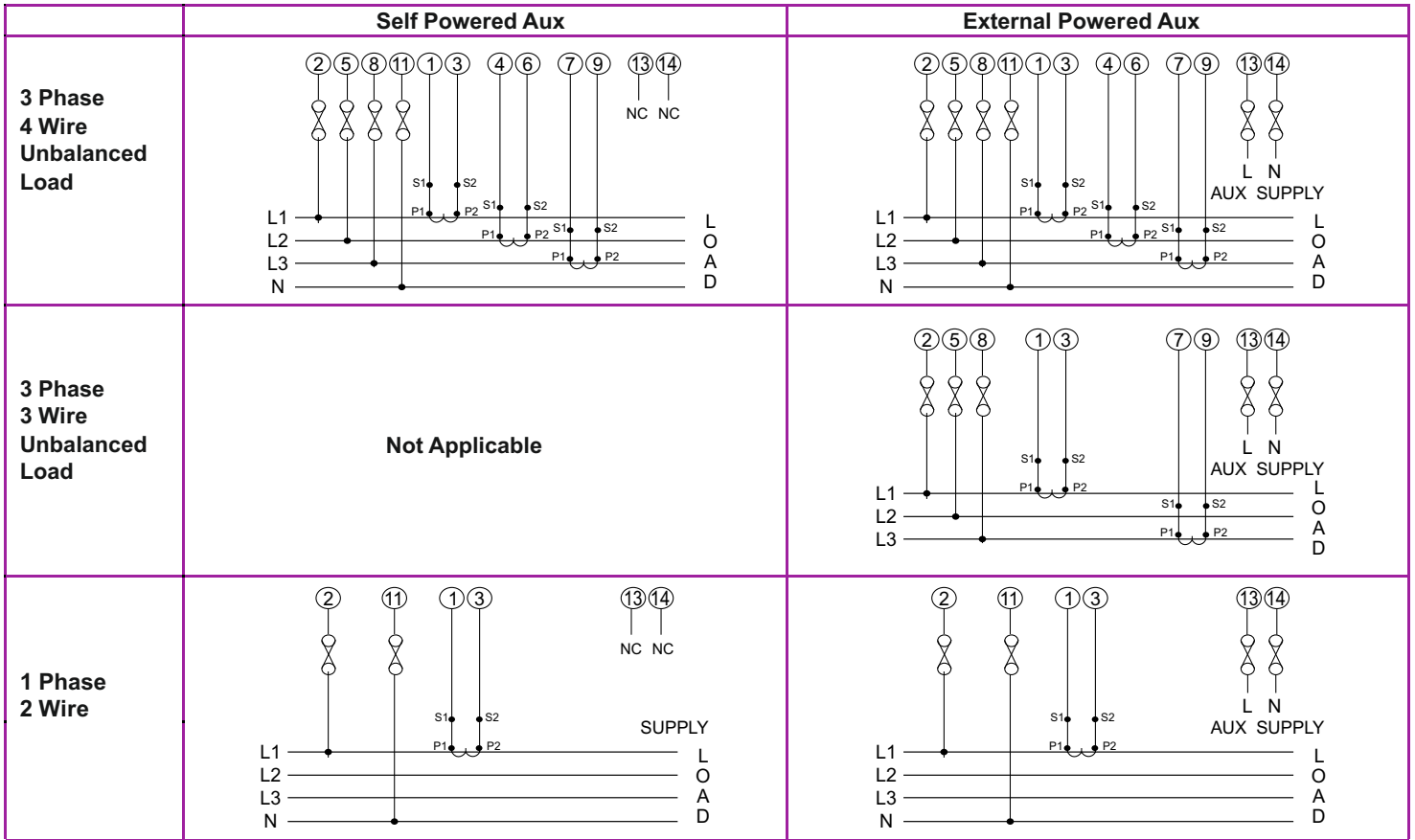
Electrical Parameters

Sr No	Parameter	3 Phase 4 Wire	3 Phase 3 Wire	1 Phase 2 Wire
1	System Volts	✓	✓	✓
2	System Current	✓	✓	✓
3	Frequency	✓	✓	✓
4	Volts R-N	✓	✗	✓
5	Volts Y-N	✓	✗	✗
6	Volts B-N	✓	✗	✗
7	Volts R-Y	✓	✓	✗
8	Volts Y-B	✓	✓	✗
9	Volts B-R	✓	✓	✗
10	Current R	✓	✓	✓
11	Current Y	✓	✓	✗
12	Current B	✓	✓	✗
13	RPM	✓	✓	✓
14	Max (System Voltage / System Current)	✓	✓	✓
15	Min (System Voltage / System Current)	✓	✓	✓
16	Hour Run	✓	✓	✓
17	ON Hour	✓	✓	✓
18	Number of auxiliary interrupt	✓	✓	✓

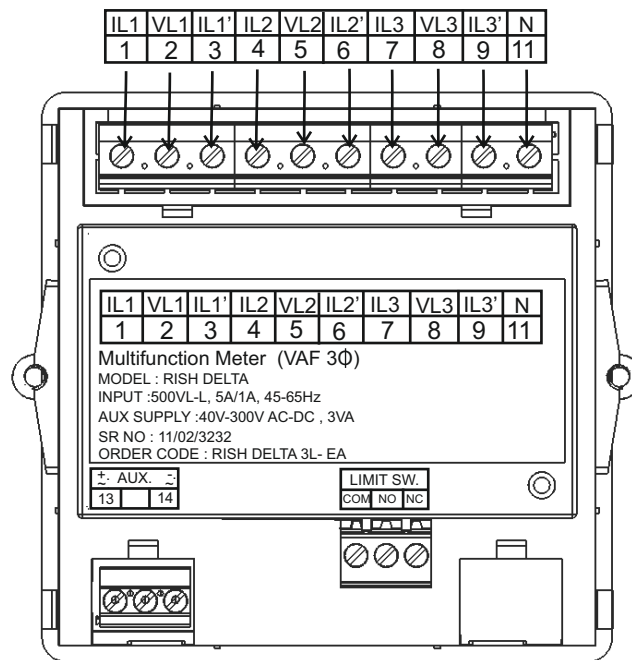


RISH Delta Digital Multifunction Instrument

Electrical Connections:



Rear Connection



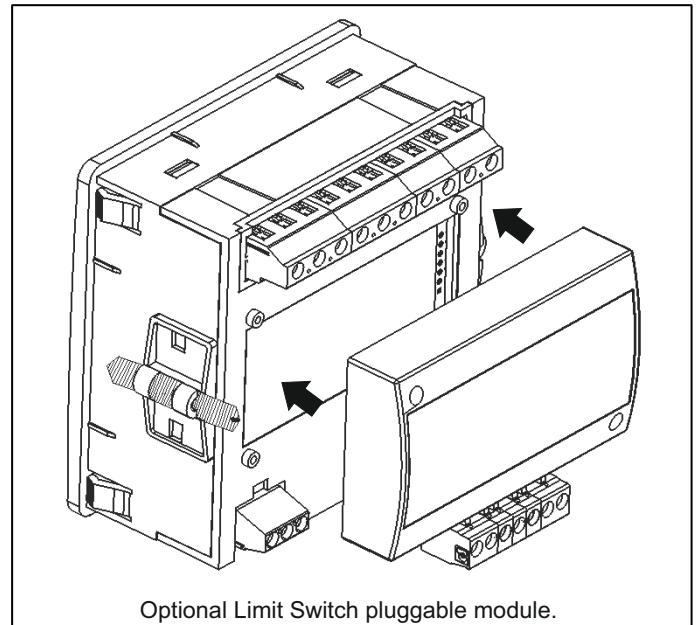
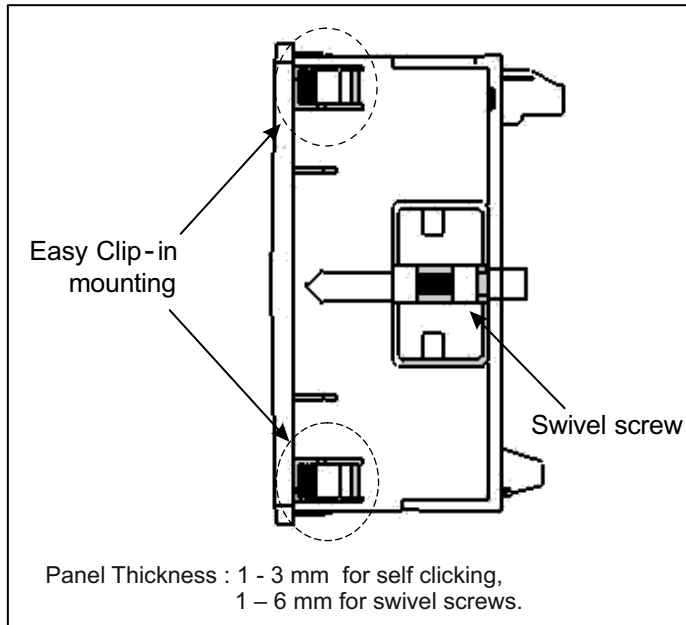
RISHABH INSTRUMENTS
 Measure, Control & Record with a Difference

RISHABH INSTRUMENTS PVT.LTD.
 F-31, MIDC, Satpur, Nashik-422 007, India.
 Tel.: +91 253 2202160, 2202202 Fax : +91 253 2351064
 E-mail : India :- marketing@rishabh.co.in
 International :- exp.marketing@rishabh.co.in
 www.rishabh.co.in

RISH Delta Digital Multifunction Instrument

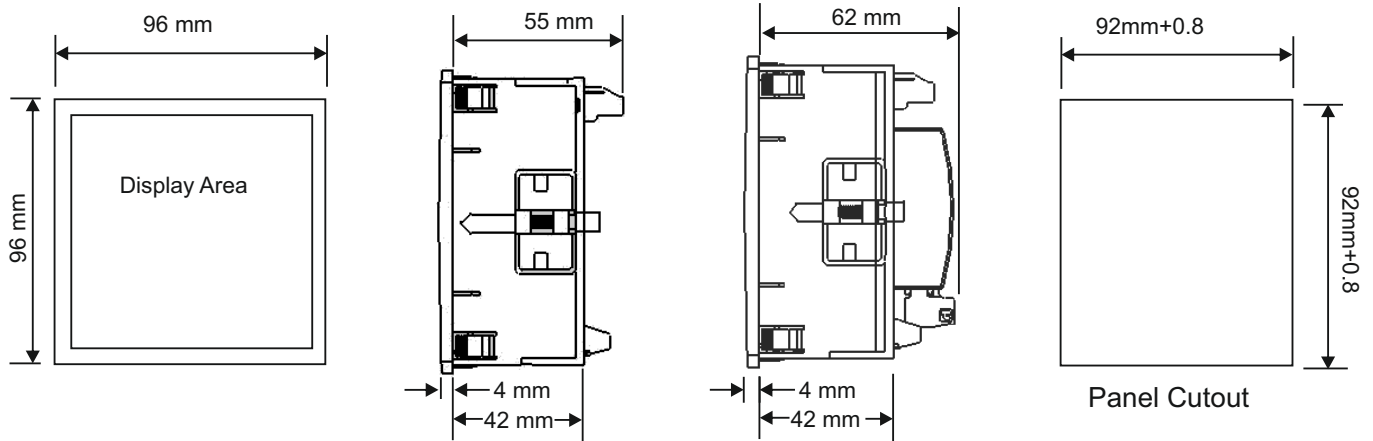
Installation:

Easy Clip in Installation on Panel.



Dimension Details:

With optional Limit switch.



RISHABH
INSTRUMENTS
Measure, Control & Record with a Difference

RISHABH INSTRUMENTS PVT.LTD.
F-31, MIDC, Satpur, Nashik-422 007, India.
Tel.: +91 253 2202160, 2202202 Fax : +91 253 2351064
E-mail : India :- marketing@rishabh.co.in
International :- exp.marketing@rishabh.co.in
www.rishabh.co.in

RISH Delta Digital Multifunction Instrument

Ordering information	Ordering Code
	RISH Delta
Display Type	
3 Line	3L
1 Line (20mm display with alphanumeric display)	1L
Auxiliary Supply	
Self Aux*	SA
AC DC External Aux (40 V – 300V AC-DC)	EA
DC External Aux (12 V – 48V DC)	DC
# Limit switch (Relay) - Optional	
With Limit switch	LS
Without Limit switch	Z

Available only in three line Display model

Order Code Example:

RISH Delta– 3L –EA – LS

RISH Delta, Three line 4Digit display, external aux (40V – 300V AC-DC),With Limit Switch

***NOTE:** Self Auxiliary meter is available only in 3Phase 4 Wire and Single Phase network.
Auxiliary input is derived from Phase 1 (R phase).
In case of external auxiliary meter all three networks are available
(3Phase 4Wire / 3Phase 3Wire / Single Phase)

